



CHRISTMAS PUPPETS

You will need

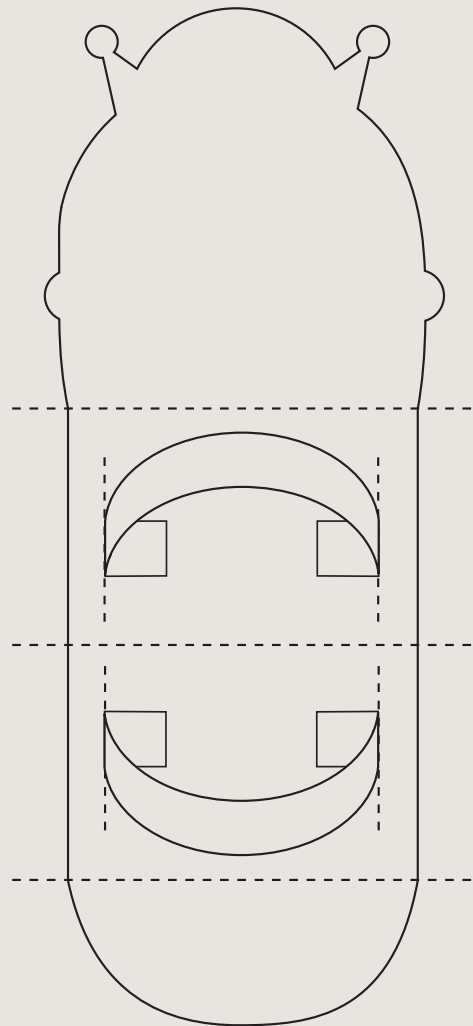
3 SHEETS OF WHITE CARD

SCISSORS

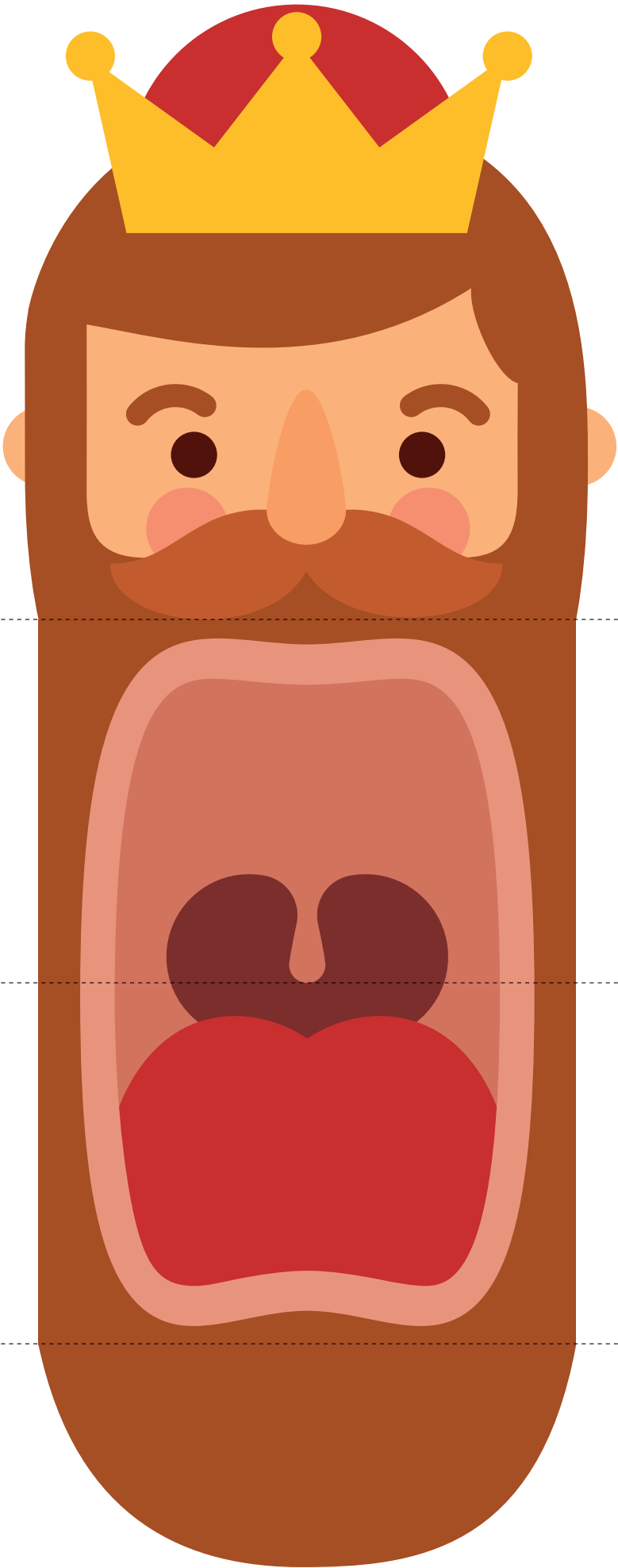
GLUE OR SELLOTAPE

Step by step

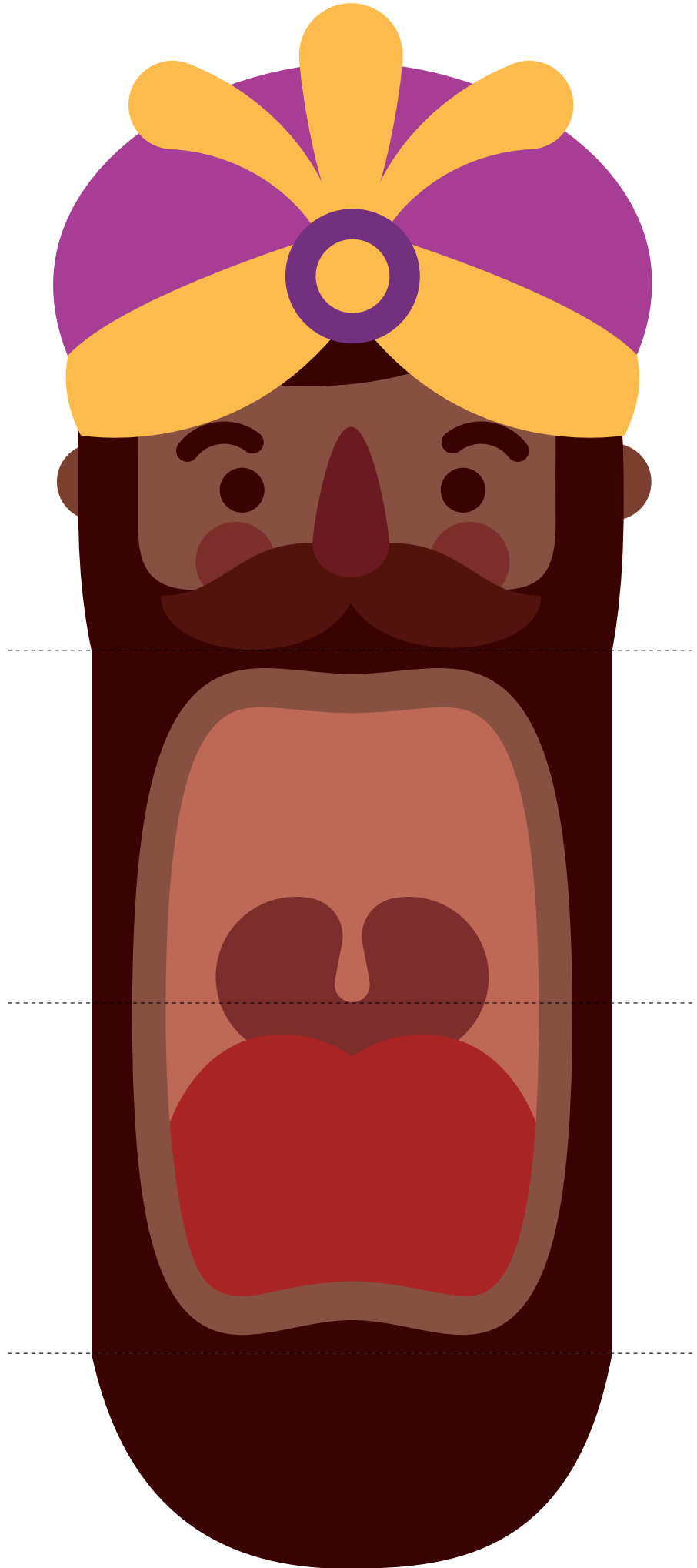
1. Print the puppets on two white cards and cut them out.
2. Fold along the dotted lines.
3. Glue the two ends of the handles on the rear of the two main blocks, the ones for the mouth. They will help you put your hand in it and handle the puppet.



Gaspar



Baltasar



Melchor

